

# Factsheet PORT 1.4W wall-mount



## Technical Details

Physical Dimensions (W×H×D)	286×293×82.3 mm (11.26×11.56×3.24 inch)
Mounting Height	964 mm (37.95 inch) to lower edge
Screen	10.4" Display, 1024×768 pixel, touch panel
Energy Consumption	max. 12 W per PORT
Standby Mode	yes, due to proximity sensor
Supply	24–48 VDC or PoE (IEEE 802.3af)
Card Reader	supports all common RFID tags (all tags have to be pre-qualified by our test service center before use!)
Range of Application	temperature: 0 to 60 °C (14 to 140 °F) humidity: 0 to 90% non-condensing protection rating IP31 for internal use only
Optional	Bluetooth Module, Color Code Camera, Spy Camera, Speakerphone

# PORT 1.4W wall-mount



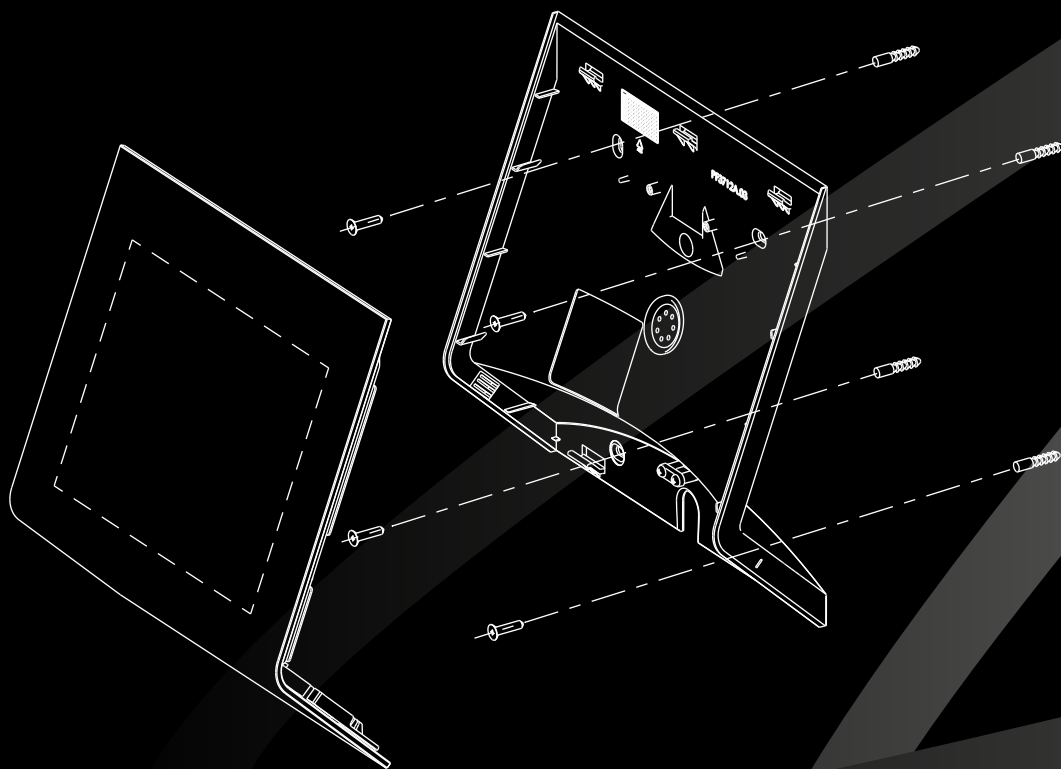
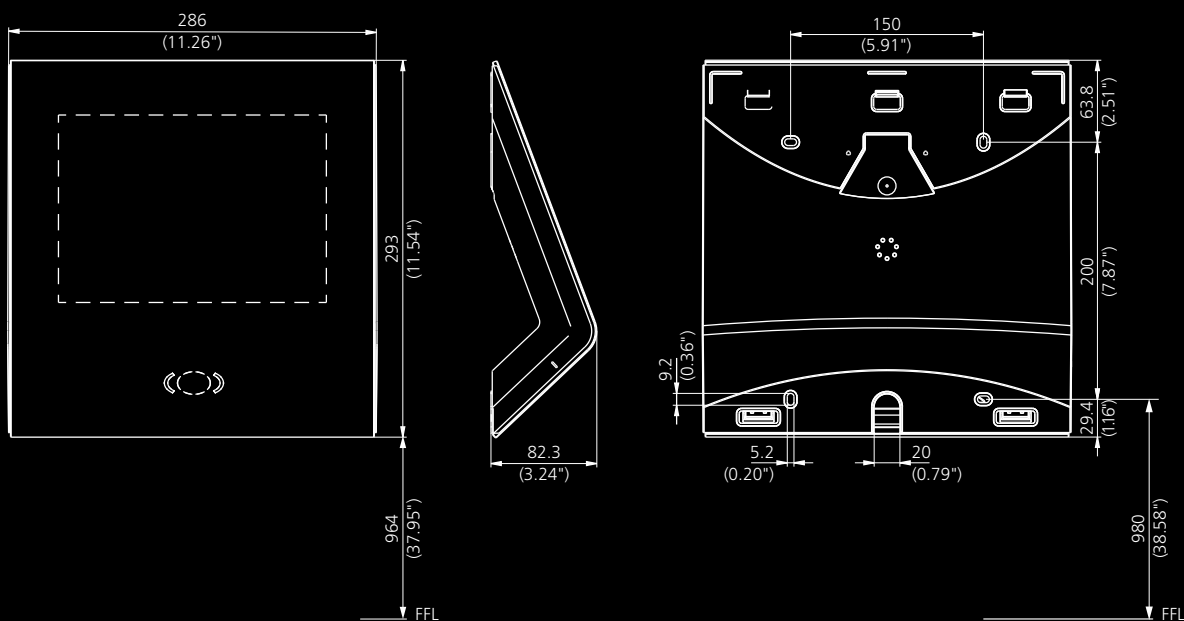
Silver grey



White



Black



Copyright © 2016 INVENTO AG  
 Note: all data is for guidance only & is subject to changes without notice. 59903127, Version 1

For further information including location of the Schindler office nearest you, please visit:  
[www.schindler.com](http://www.schindler.com)

Schindler Elevator Ltd.  
 Zugerstrasse 13  
 CH-6030 Ebikon  
 Switzerland  
 Phone +41 (0)41 445 31 31  
 Fax +41 (0)41 445 52 97

[porttechnology@ch.schindler.com](mailto:porttechnology@ch.schindler.com)  
[www.theporttechnology.com](http://www.theporttechnology.com)



All dimensions are in mm (inches)